

# High Power LED Lamps - LB Series

## LB Series – LB1A

BrightLite’s LB Series High Power LED Lamp is a low cost, high efficient and perfect energy saving solution for new installation or replacement for existing indoor and outdoor (under shield) fluorescent lighting. The creative design for these series of the lamps allows you to fix the lighting in the way you like it to be, where you can break away from the traditional casing design.

BrightLite’s patent pending Ultra-BrightLite™ High Power LED lamps provide ease in maintenance, when individual LED Lamps replacement is necessary. The parallel connection eliminated total black out when one LED lamp is malfunctioning.



Model: LB1A  
Φ36.5 x 34.4 mm

Patent Pending

### Product Description

- “Screw and Lock” design concept for ease in maintenance
- High Energy Efficiency
- Low Cost
- High Thermal Efficiency – Aluminium Metallic Housing
- An innovative design that dissipate heat in 3-dimensionally (x, y and z)
- Hard optical lens, enhance mechanical protection
- Built-in precision DC-DC power supply source
- Country of Origin – Made in Singapore

### Color Available

- Daylight White, Warm White, Red, Green & Blue

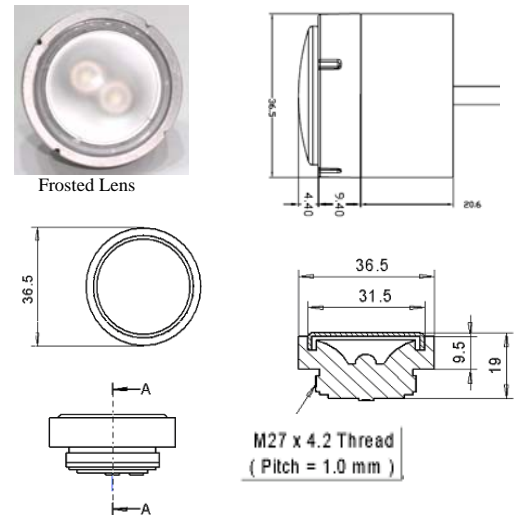
### Applications

- Reading Light Lamp, Residential, Decorative & General Lighting

### Product Specification:

	Daylight White	Warm White	Red	Green	Blue
Model No.	LL0507	LL0508	LL0509	LL0510	LL0511
Part Number	70LL0507100	70LL050800	70LL050900	70LL051000	70LL051100
Description	LB1A (Daylight White)	LB1A (Warm White)	LB1A (Red)	LB1A (Green)	LB1A (Blue)
Power (LEDs)	<2.6W				
Input Voltage/Current	7.5Vdc/0.35A typ				
Optical Lens	120 / 60 degree available				
Lumen	Approx 160 lm	Approx 148 lm	Approx 80 lm	Approx 134 lm	Approx 60 lm
CRI	75	80	NA		
CCT	6200K	3500K	NA		
Lm / W	Approx 70 lm / W	Approx 64 lm / W	Approx 40 lm / W	Approx 58 lm / W	Approx 26 lm / W

### Product Dimension:



### L5 body distance to Base PCB Assembly:

