

Ultra-BrightLite™ Series – Type L5

Ultra-BrightLite™ – Type L5 is an innovative LED lamp that integrates with high power LED, smart electronics, hard optical lens and aluminium metallic housing – all in one package. The LED technology effectively contributes energy saving up to 50% or more.



Patent Pending

Model: L5
Φ36.5 x 19 mm

Product Description

- “Screw and Lock” design concept for ease in maintenance
- High Energy Efficiency
- High Thermal Efficiency – Aluminium Metallic Housing
- An innovative design that dissipate heat in 3-dimensionally (x, y and z)
- Hard optical lens, enhance mechanical protection
- Built-in precision DC-DC power supply source
- Time to Market (TTM) is shorter

Color Available

- Daylight White, Warm White, Red, Green & Blue

Applications

- Reading Light Lamp
- Residential Lighting
- Decorative Lighting
- General Lighting

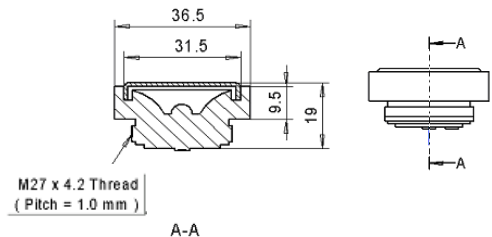
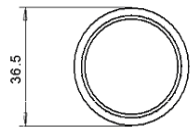
Product Specification:

	Daylight White	Warm White	Red	Green	Blue
Model No.	LL0501	LL0502	LL0503	LL0504	LL0505
Part Number	70LL050100	70LL050200	70LL050300	70LL050400	70LL050500
Description	Ultra-BrightLite - L5 (Daylight White)	Ultra-BrightLite - L5 (Warm White)	Ultra-BrightLite - L5 (Red)	Ultra-BrightLite - L5 (Green)	Ultra-BrightLite - L5 (Blue)
Power (LEDs)	<2.6W				
Input Voltage/Current	7.5Vdc/0.35A typ				
Optical Lens	120 / 60 degree available				
Lumen	Approx 160 lm	Approx 148 lm	Approx 80 lm	Approx 134 lm	Approx 60 lm
CRI	75	80	NA		
CCT	6200K	3500K	NA		
Lm / W	Approx 70 lm / W	Approx 64 lm / W	Approx 40 lm / W	Approx 58 lm / W	Approx 26 lm / W

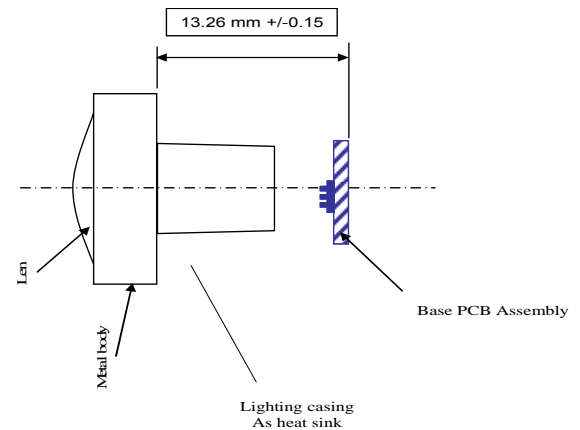
Product Dimension:



Frosted Lens

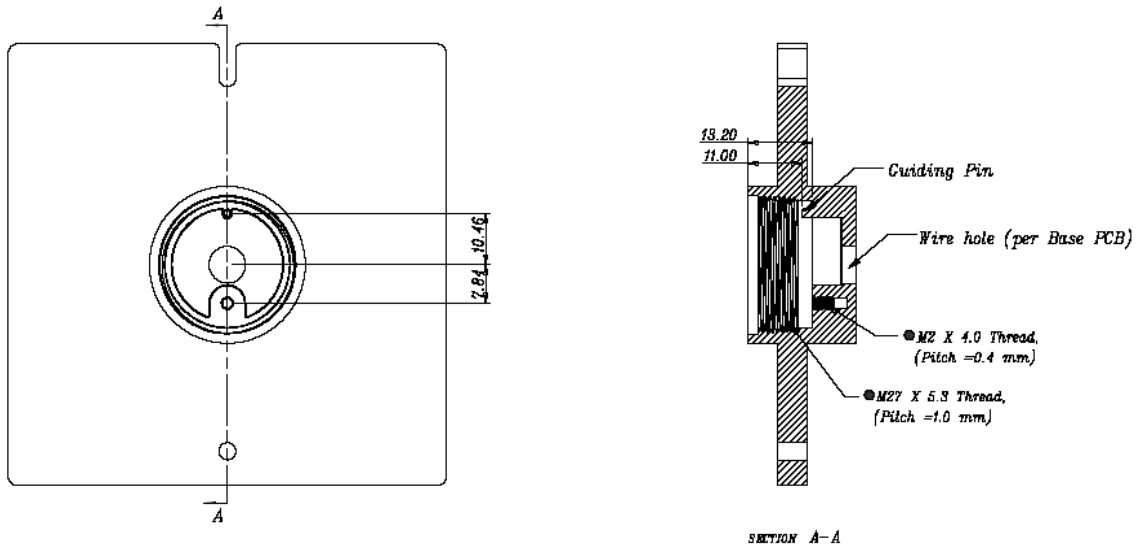


L5 body distance to Base PCB Assembly:

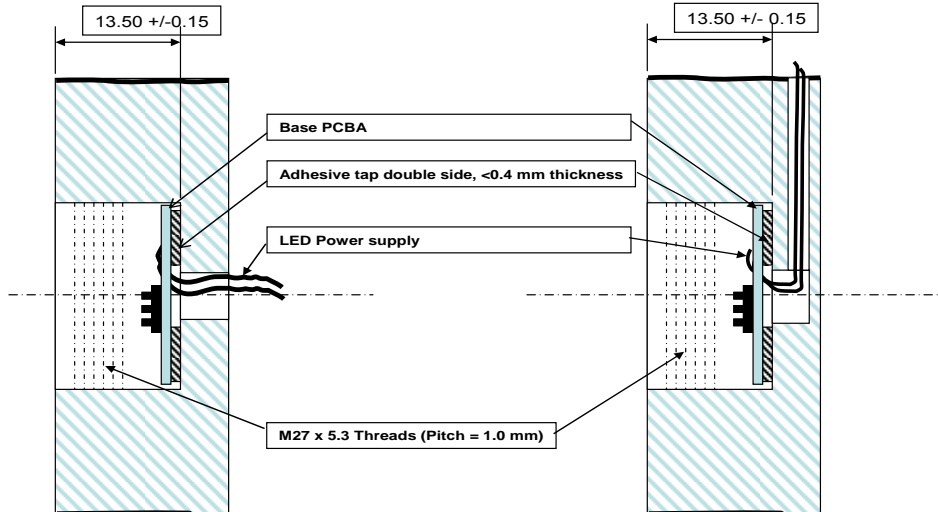


Application for L5:

Example 1



Example 2



Example 3

